



# KE2 TerminalBoard (pn 20996)

for KE2 Evaporator Efficiency, KE2 Evap for Rack Efficiency, KE2 Controlled Environment, KE2 Adaptive Control and KE2 Low Temp+Defrost

## Introduction

The KE2 Terminal Board (pn 20996) is specifically designed to match the wiring needs of KE2 Therm controllers, making installation more convenient.

KE2 Terminal Board standardizes the wiring for every install, and the board is marked with standard symbols for the fan, heaters, and LLS, making future diagnostics straightforward. And, when used with a KE2 Therm wire harness\*, the installation is simplified even further.

The wire harness reduces wire preparation time and eliminates the need to stock multiple wire gauges, colors, and connectors. Using the wire color suggestions shown on the terminal board aids technicians in identifying component connections.

Simplifying installation is just one of the reasons KE2 Therm recommends using the KE2 Terminal Board. The fuses, included on

the terminal board, protect every relay on the controller from power surges, and the board has a mounting position for an EC Motor Relay.

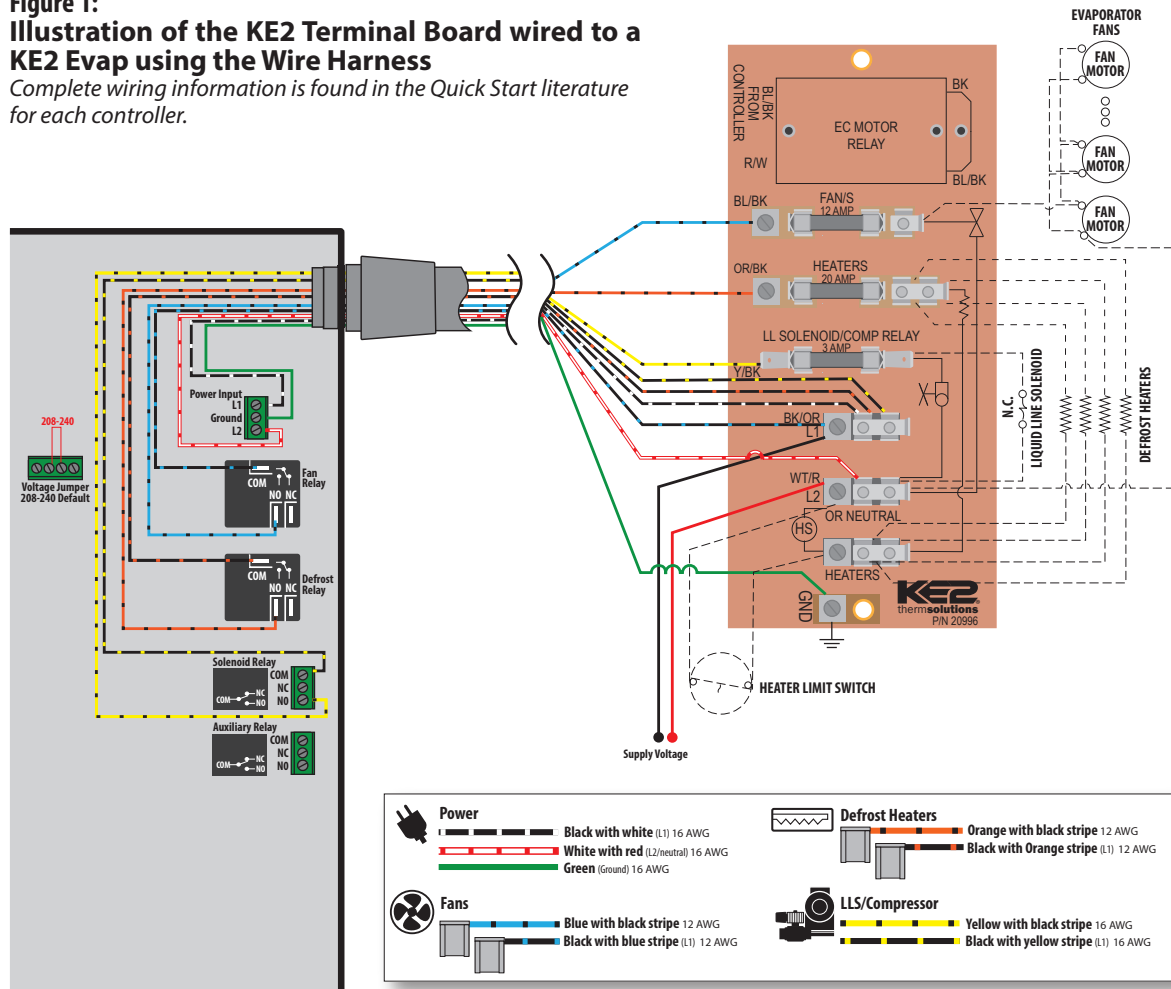
Although not required, KE2 Therm has relays available that withstand the damaging back EMF voltage from EC motors. The relays are sold separately, as individual relays, or in a complete kit.

The kit, pn 21409 includes one 120vac relay, and one 208/230vac relay, and all wiring, screws, etc. Individual relays without accessories are pn 21469 for 120vac, and pn 21470 for 208/230vac. The individual relays are useful when older terminal boards, without space for the relay, are being used. See Figure 4.

\*For more information on the Wire Harness see bulletin Q.1.21 or Condensed Catalog 411.

**Figure 1:**  
**Illustration of the KE2 Terminal Board wired to a KE2 Evap using the Wire Harness**

Complete wiring information is found in the Quick Start literature for each controller.





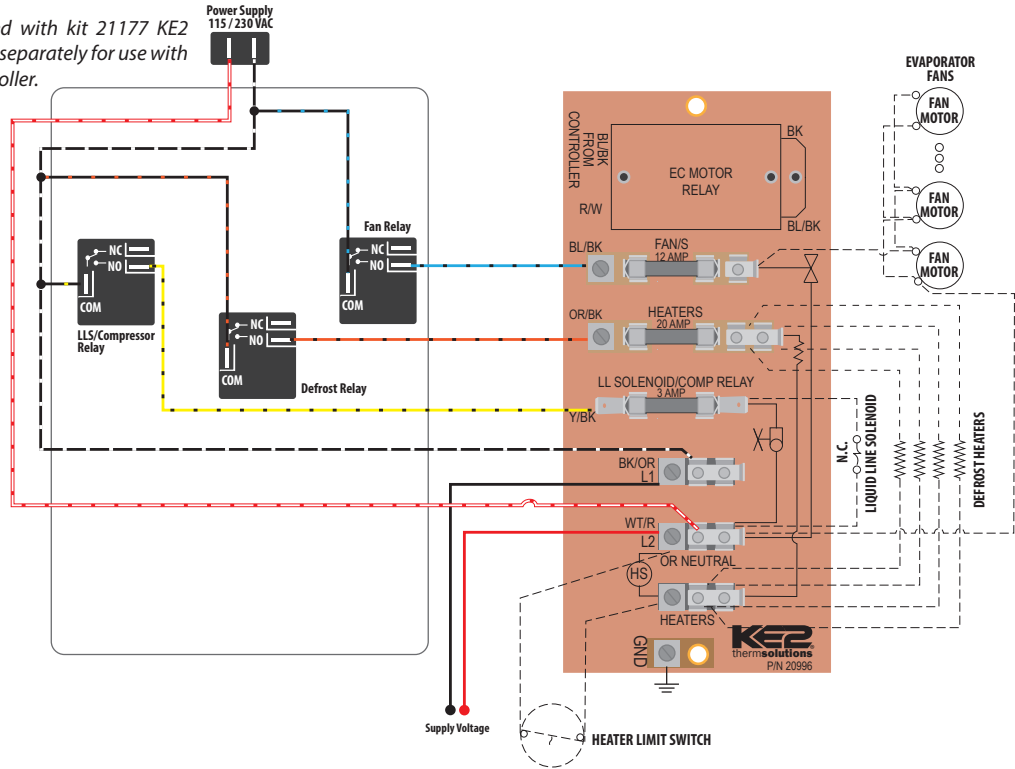
**KE2 TerminalBoard**

for KE2 Evaporator Efficiency, KE2 Evap for Rack Efficiency, KE2 Controlled Environment, KE2 Adaptive Control and KE2 Low Temp+Defrost

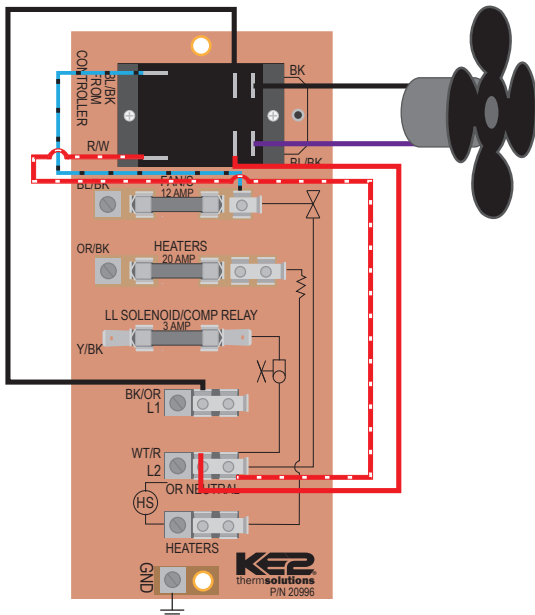
**Figure 2:**  
**KE2 Low Temp + Defrost, and KE2 Adaptive Control**  
Wiring Diagram using the KE2 Terminal Board & Wire Harness  
(Wire Harness: 10' pn 20736, 25' pn 20670 or 40' pn 20737).

**Note:**

Terminal Board 20996 is included with kit 21177 KE2 Adaptive Control, and is available separately for use with the KE2 Low Temp + Defrost controller.



**Figure 3:**  
**Simplified Wiring After Adding Supplemental Relays for ECM Fans**



**Figure 4:**  
**External Relay Wiring with Previous Terminal Boards**

