



KE2 TerminalBoard (pn 20996)

for KE2 Evaporator Efficiency, KE2 Evap for Rack Efficiency, KE2 Controlled Environment, KE2 Adaptive Control and KE2 Low Temp+Defrost

Introduction

The KE2 Terminal Board (pn 20996) is specifically designed to match the wiring needs of KE2 Therm controllers, making installation more convenient.

The KE2 Terminal Board standardizes wiring for every install, and is marked with standard symbols for the fan, heaters, and LLS, making future diagnostics straightforward. And, when used with a KE2 Therm wire harness*, the install is simplified further.

The wire harness reduces wire preparation time and eliminates the need to stock multiple wire gauges, colors, and connectors. Using the wire color suggestions shown on the terminal board aids technicians in identifying component connections.

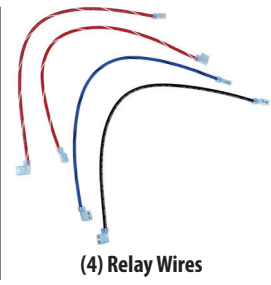
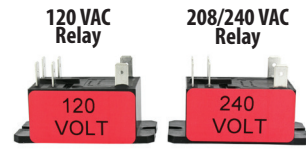
Simplifying installation is just one reason KE2 Therm recommends using the KE2 Terminal Board. The fuses, on the terminal board, protect every relay on the controller from power surges, and the board has a mounting position for an EC Motor Relay.

Although not required, KE2 Therm has relays available that withstand the damaging back EMF voltage from EC motors. The relays are sold separately, as individual relays, or in a complete kit.

* For more on the Wire Harness, see Q.1.21 or Condensed Catalog 411.

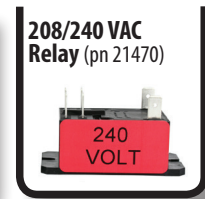
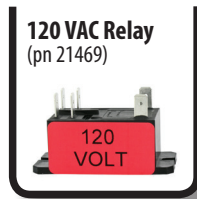
Relays

Relay Kit (pn 21409) - Kit Contents



Individual Relays - each sold separately and without accessories

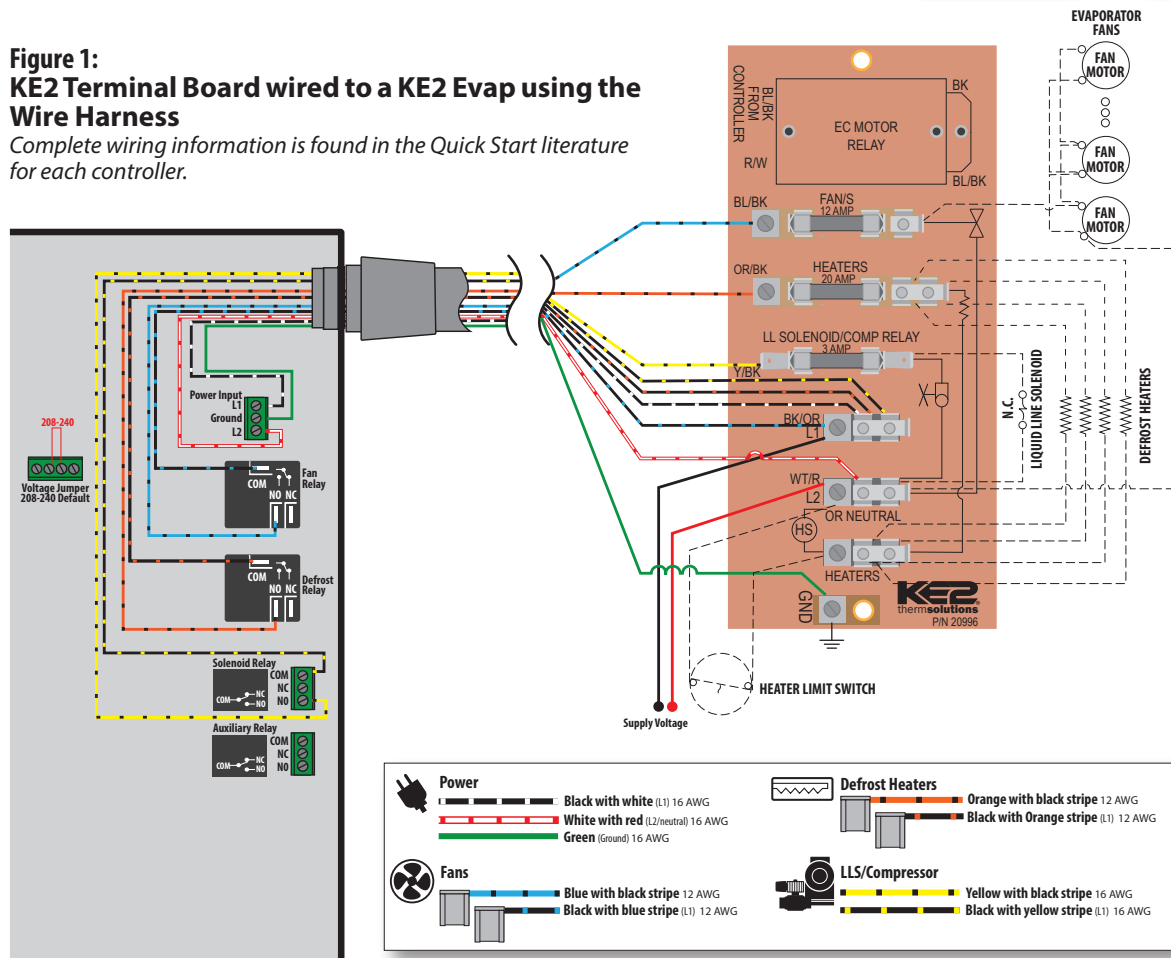
Individual relays are often useful when older terminal boards, without space for the relay, are used.



See Figure 4.

Figure 1:
KE2 Terminal Board wired to a KE2 Evap using the Wire Harness

Complete wiring information is found in the Quick Start literature for each controller.





KE2 TerminalBoard

for KE2 Evaporator Efficiency, KE2 Evap for Rack Efficiency, KE2 Controlled Environment, KE2 Adaptive Control and KE2 Low Temp+Defrost

Figure 2:
KE2 Low Temp + Defrost, and KE2 Adaptive Control
Wiring Diagram using the KE2 Terminal Board & Wire Harness
(Wire Harness: 10' pn 20736, 25' pn 20670 or 40' pn 20737).

Note:

Terminal Board 20996 is included with kit 21177 KE2 Adaptive Control, and is available separately for use with the KE2 Low Temp + Defrost controller.

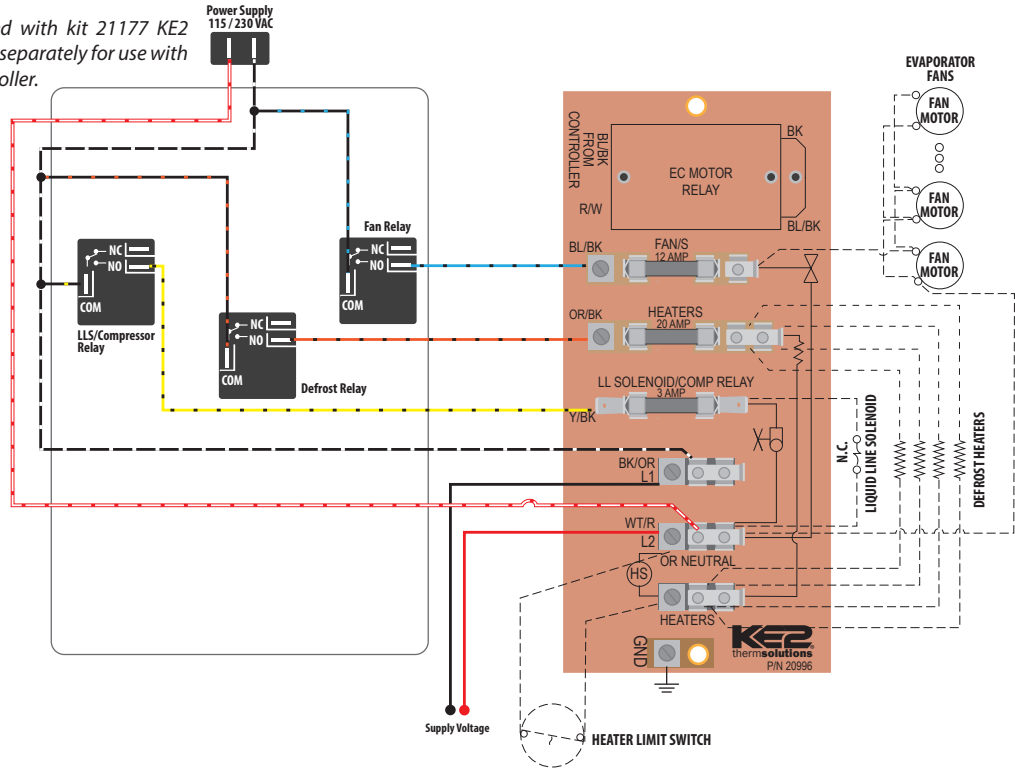


Figure 3:
Simplified Wiring After Adding Supplemental Relays for ECM Fans

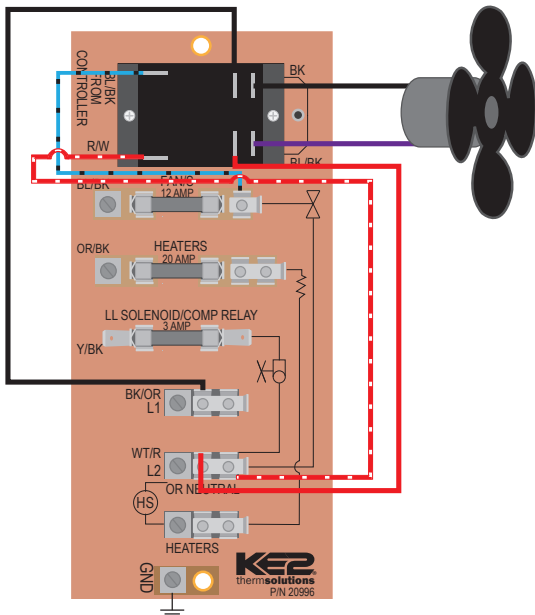


Figure 4:
External Relay Wiring with Previous Terminal Boards

